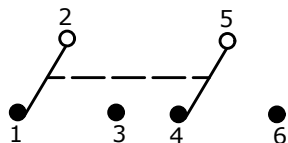
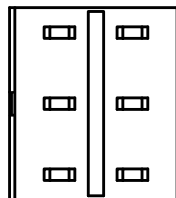
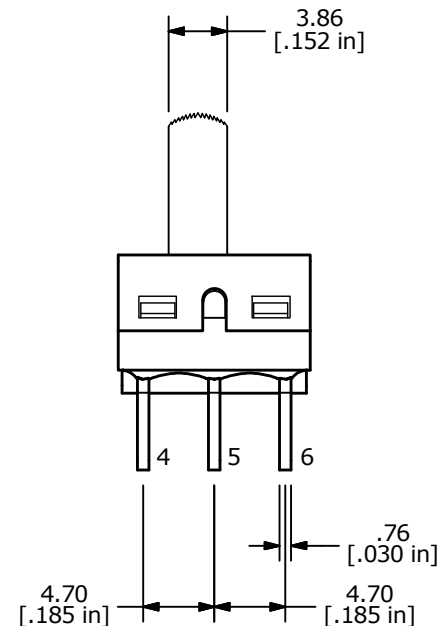
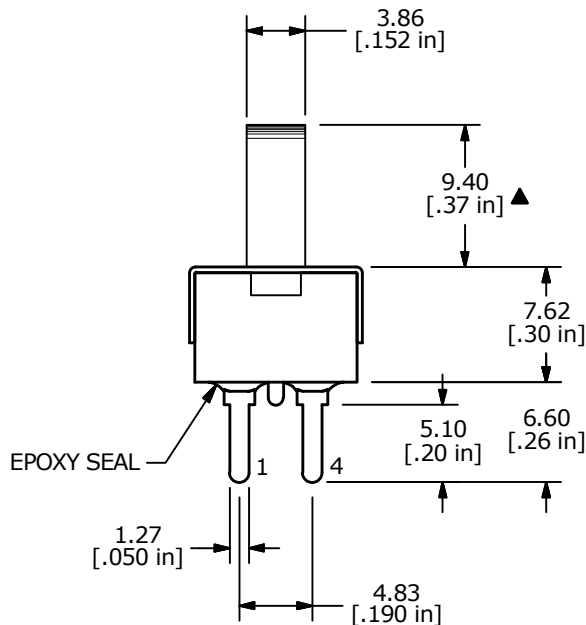


▲ SWITCH FUNCTION		
POS. 1	POS. 2	POS. 3
ON	OFF	ON
2-1, 5-4	OPEN	2-3, 5-6



CIRCUIT: DPDT



- NOTE:
1. ALL DIMENSIONS IN MM [INCH]
 2. GENERAL TOLERANCE: X.X = ±0.4
X.XX = ±0.25
 3. TERMINAL NUMBERS FOR REF ONLY
 - ▲ 4. PLATING MATERIAL: SILVER
 5. CONTACT RATING: 2A @ 250VAC
5A @ 120VAC OR 28VDC
 6. ELECTRIC LIFE: 30,000 ACTUATIONS AT FULL LOAD.
 7. INSULATION RESISTANCE: 1,000 MEGA-OHM MIN.
 8. DIELECTRIC STRENGTH: 1,000 V RMS @SEA LEVEL.
 9. OPERATING TEMP.: -30°C to 85°C
 10. ▲ DENOTES CRITICAL PARAMETER.
 11. 2011/65/EU (ROHS) COMPLIANT
 12. CONTACT RESISTANCE: 10 mili OHM MAX. INITIAL @ 2-4 VDC
100mA FOR BOTH SILVER AND GOLD PLATING



C	24170	update print and correct description	1/20/20	MW
B	19565	DRAWING UPDATE	1/6/11	BGL
REV	PCR NO	DESCRIPTION	DATE	BY

TITLE 500SDP3S3M2QEA				
SCALE 2:1	DATE 1/6/2011	DR BGL	DWG T521013	REV C

THE INFORMATION CONTAINED IN THIS DOCUMENT IS PROPRIETARY TO E-SWITCH AND IS NOT TO BE COPIED OR TRANSFERRED